

Centrifugal Pump and Intelligent Pressure Controller



PT. Archimedes Global Pump

Kawasan Pusat Niaga Terpadu

Jl. Daan Mogot Raya Km 19.6 Blok FF 8 N

Tangerang 15122, Indonesia.

Phone : (021) 54377378

Email : info@archimedes.co.id



aSMART DRIVE 10

Applications and installation

AES series pumps are specifically designed to achieve high delivery rates with low to medium heads for industrial and agricultural uses. Their volute impeller makes it able to pump water that is even fairly dirty. High delivery rates under continuous or heavy duty, making them advantageous for rain and gravity irrigation, for pumping water from lakes, river, well and for a wide variety of other applications, etc.

Pumps should be installed in a covered area, protected against the weather.

Construction features

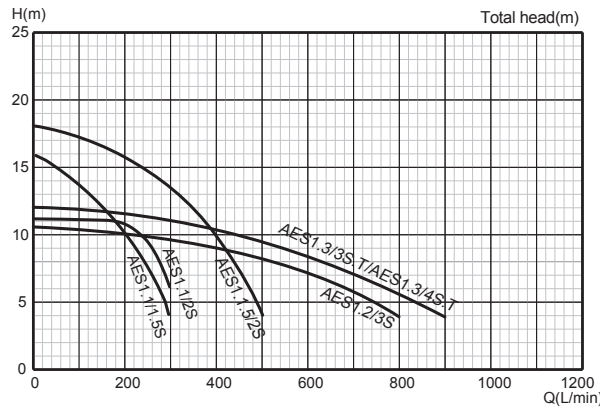
- Pump Body: cast iron
- Shaft: 45# steel/stainless steel
- Impeller: brass
- Motor: closed, externally ventilated
- Insulation Class: F
- Protection Class: IP54
- Duty: continuously rated
- Mechanical Seal: silicon carbide

Operating limitations

- Max ambient temperature up to 40°C
- Max fluid temperature up to 80°C
- Max pressure up to 10 bar



Performance Curve



AES

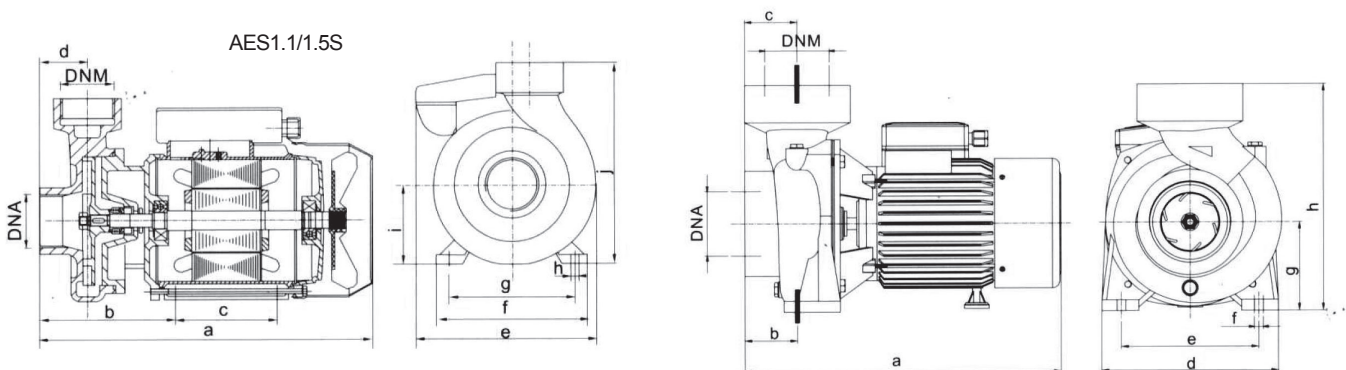
Model	HP	kW	DNA/DNM	Suct.Max m	Q.Max L/min	H.Max m	Q. L/min	0	200	300	400	500	600	800	900	1000	Weight Kg
AES1.1/1.5S	1	0.75	1 1/2" / 1 1/2"	9	210	16	H(m)	16	4	2							13
AES1.1.5/2S	1.5	1.1	2" / 2"	9	500	18		18	16	14	10	4					21.85
AES1.2/3S	2	1.5	3" / 3"	9	800	10.5		10.5	10.4	10.2	10	8	6	4			27.5
AES1.3/3S.T	3	2.2	3" / 3"	9	900	12.5		12.5	11.5	11	10	9	8	6	4		28.8
AES1.3/4S.T	3	2.2	4" / 4"	9	900	12.5		12.5	11.5	11	10	9	8	6	4		36.0

Overall and mounting dimension

Model	Dimensions (mm)												Package Dimension		
	DNA	DNM	a	b	c	d	e	f	h	j	g	i	A	B	H
AES1.1/1.5S	1 1/2"	1 1/2"	296	121	90	43	153	136	112	9	71	182	320	195	240

Overall and mounting dimension

Model	Dimensions (mm)									
	DNA	DNM	a	b	c	d	e	f	g	h
AES1.1.5/2S	2"	2"	380	45	51	195	154	11	110	260
AES1.2/3S	3"	3"	385	66	68	237	187	12	120	312
AES1.3/3S.T	3"	3"	405	66	68	237	187	12	120	312
AES1.3/4S.T	4"	4"	407	66	70	237	187	12	120	312



Intelligent Pressure Controller

Installation of intelligent controller makes ordinary pump intelligent, simpler and more advanced

Applications

Widely workable with different type of pump, including deep well submersible pump for self-priming, and also automatically sense the max. pressure of pump, and then to set by certain percentage of max. pressure as "Starting" pressure automatically. No manual setting of starting pressure in Auto Mode.



Multi-frequency

50/60 HZ available

Wide Voltage

Range 90-265V

Energy Saving

Wide Power

Range 0.1-2.2kw Motor

Waterproof

aSMART DRIVE 10

aSMART DRIVE 10, With 1L built-in Tank, for pressure buffer
"aSMART DRIVE 10" means intelligence

Working Principle

- Auto start the pump either by pressure lower than Starting pressure or by flow switch open. when starting the pump, it allows 3'20" self-priming time to prime the pump in case. (timing can be modified before ex-works)
- Stop the pump automatically by flow switch closed. Stop the pump in the case of water shortage. it will continuous running 3'20", then will stop the pump.
- Able to adjust the starting pressure easily by +, - button, to suit different working circumstance

Features

- With built-in pressure sensor & flow switch & non-return valve
- Starting Pressure: **0-10bar (adjustable)**
- Max. Rated Current: **10A, up to 2.2KW motor**
- Max. Allowable Pressure: **15bar**
- Wide Voltage Range: **90-260V**
- Frequency: **50/60Hz**
- Max. Ambient Temp.: **40°C**
- Max Liquid Temperature: **80°C**
- Protection Degree: **IP65 (PCB with anti-humidity epoxy resin)**
- Energy Saving**
- Joint Screw: **G1"male**
- Able for horizontal installation.



	aSMART DRIVE 10	Traditional Controller
Starting Pressure	0-10bar (adjustable)	1.5bar or 2.2bar
Max Rated Current	10A, from 0.1KW-2.2KW Motor	10A, from 0.37KW-1.1KW Motor
Max Allowable Pressure	15bar	10bar
Rated Voltage	90-260V	110V or 220V
Max Liquid Temperature	80°C	60°C
Waterproof	YES	NO
Energy Saving	Digital Power Chip, very low standby power consumption, less than 5W per day	traditional resistance power, over 30W per day
Heat of Controller	35°C	60°C

Technical parameter

Model	Power kW	Voltage (v)	Max.current (A)	Frequency (Hz)	Pcs/Carton	Outer box size (mm)1pcs	Outer box size (mm)12pcs	G.W. (kg)
aSMART DRIVE 10	0.1-2.2	90-260V	10	50/60	12	198x135x190	418x408x395	1.4

